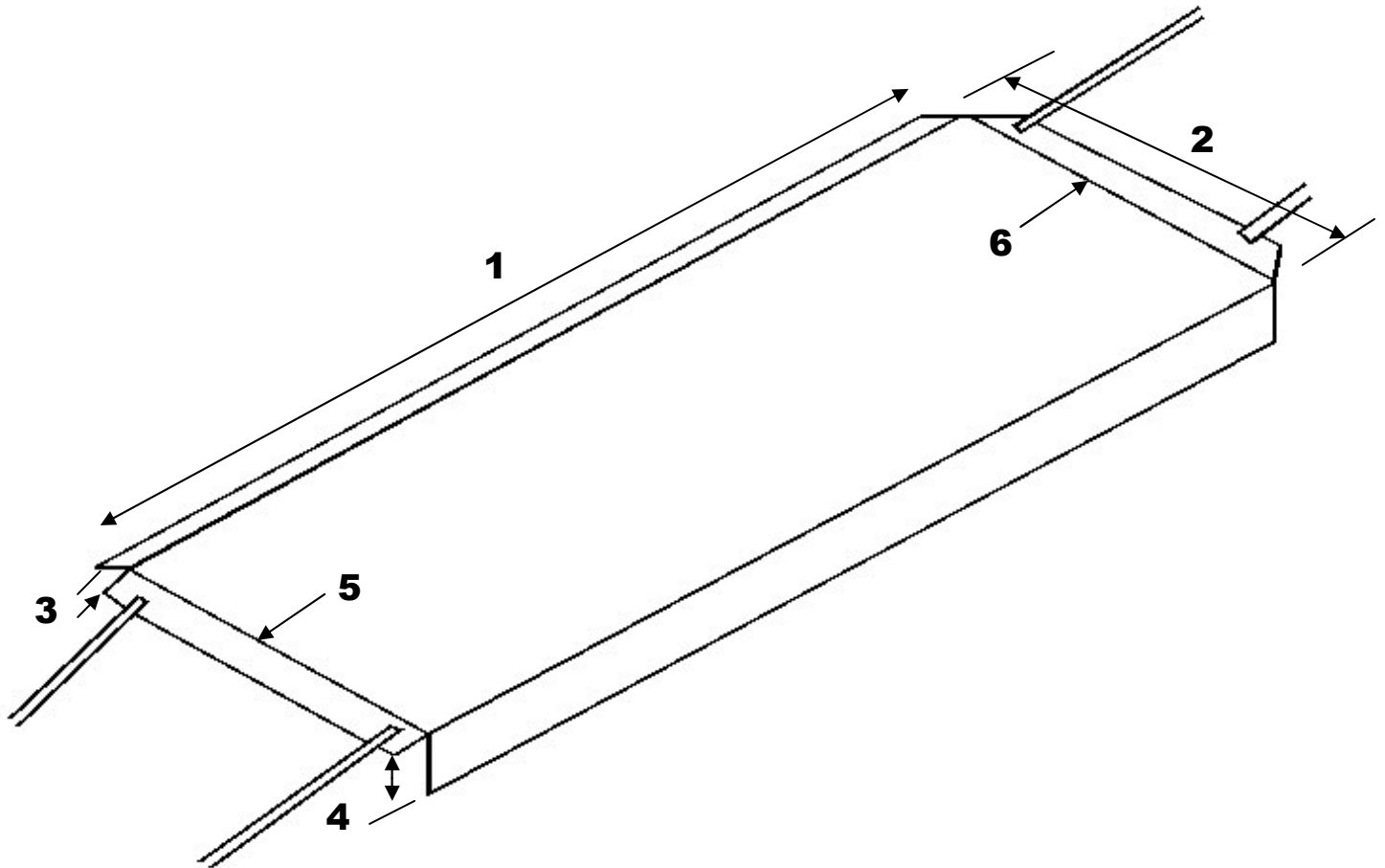




# TRANSFER TRAILER TARP ORDER FORM

800 • 248 • 7717 F: 606 • 248 • 2077



(1) Length of trailer: \_\_\_\_\_

(2) Width of trailer: \_\_\_\_\_

(3) Passenger Drop: \_\_\_\_\_

(4) Driver Drop: \_\_\_\_\_

(5) Front Flap Length: \_\_\_\_\_

(6) Rear Flap Length: \_\_\_\_\_

(7) Nose: Square \_\_\_\_\_, Round \_\_\_\_\_

(8) Make of Trailer: \_\_\_\_\_

(9) Material:

Gorilla Mesh

18 ounce vinyl

22 ounce vinyl