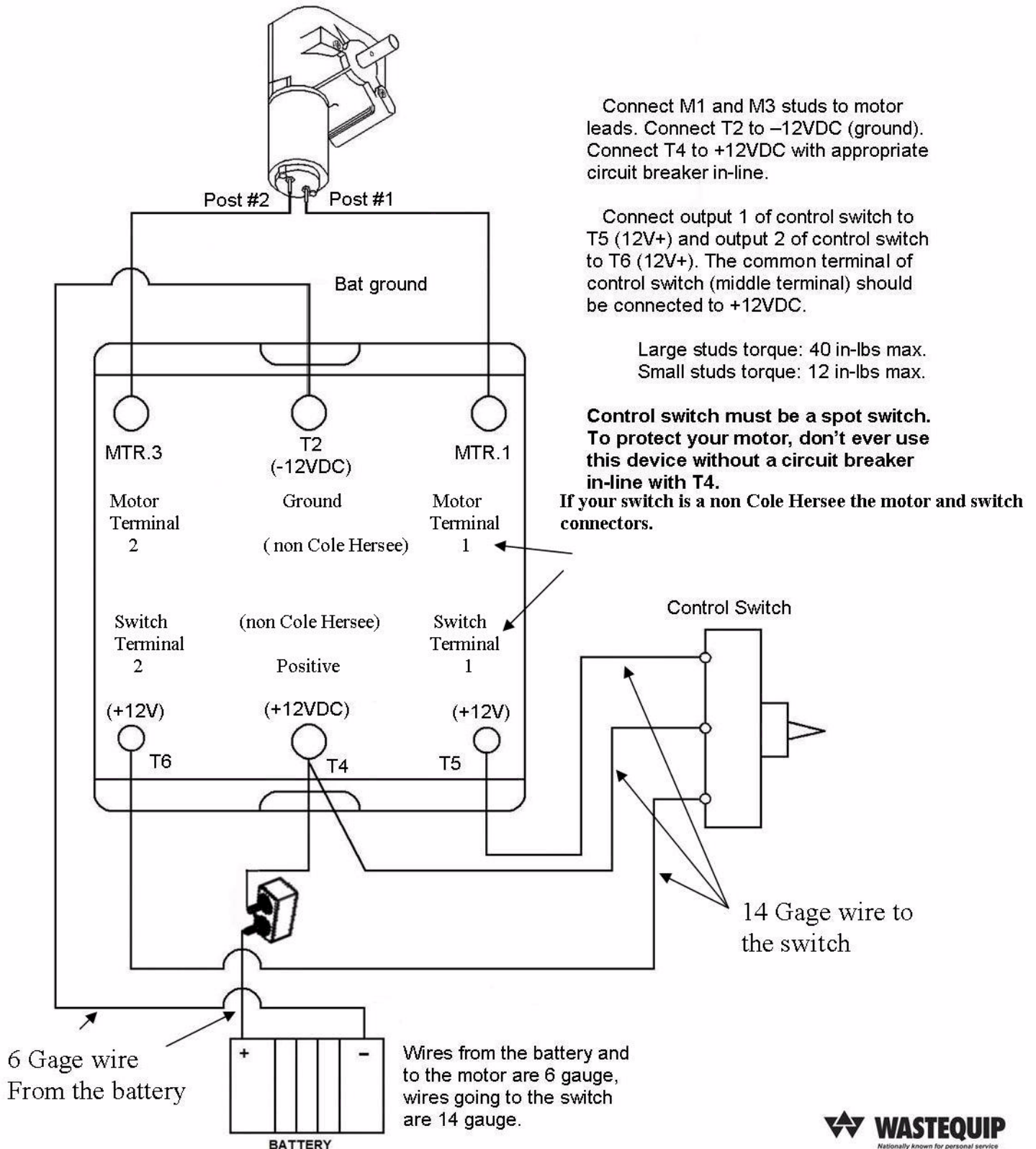


Mountain Tarp

MOTOR WIRING FOR ROCKER SWITCH

800 - 248 - 7717 F: 606 - 248 - 2077



Connect M1 and M3 studs to motor leads. Connect T2 to -12VDC (ground). Connect T4 to +12VDC with appropriate circuit breaker in-line.

Connect output 1 of control switch to T5 (12V+) and output 2 of control switch to T6 (12V+). The common terminal of control switch (middle terminal) should be connected to +12VDC.

Large studs torque: 40 in-lbs max.
Small studs torque: 12 in-lbs max.

Control switch must be a spot switch. To protect your motor, don't ever use this device without a circuit breaker in-line with T4. If your switch is a non Cole Hersee the motor and switch connectors.